

SET-UP SHEET

RACE	World Drome 2011
TRACK	250m PIST

NAME	sray	
CITY / COUNTRY	Chiba	
CONTACT	http://rc.kazsh.com/	

DATE	13/11/2011	
TEMPERATURE / °C	AIR 18	TRACK

QUALIFYING POSITION	BEST LAP TIME / sec	FINAL POSITION	RACE LENGTH / minutes
1	10.160	4	4min

TRACK CONDITION	<input type="checkbox"/> CARPET	<input checked="" type="checkbox"/> ASPHALT
	<input type="checkbox"/> TECHNICAL	<input checked="" type="checkbox"/> FAST

TRACTION	<input checked="" type="checkbox"/> LOW	<input type="checkbox"/> MEDIUM	<input type="checkbox"/> HIGH
-----------------	---	---------------------------------	-------------------------------

CENTER SHOCK ABSORBER		
SPRING	std.	OIL / cSt 50
		REBOUND % 50

SIDE SHOCK ABSORBER		
	OIL / cSt	50

FRONT	TIRES	REAR
BSR B2237		BSR B2234
63.0	DIAMETER/mm	63.0
	ADDITIVE	
	ADDITIVE timing	

FRONT LEFT	FRONT RIGHT	REAR LEFT	REAR RIGHT
ADDITIVE TREATED AREA			

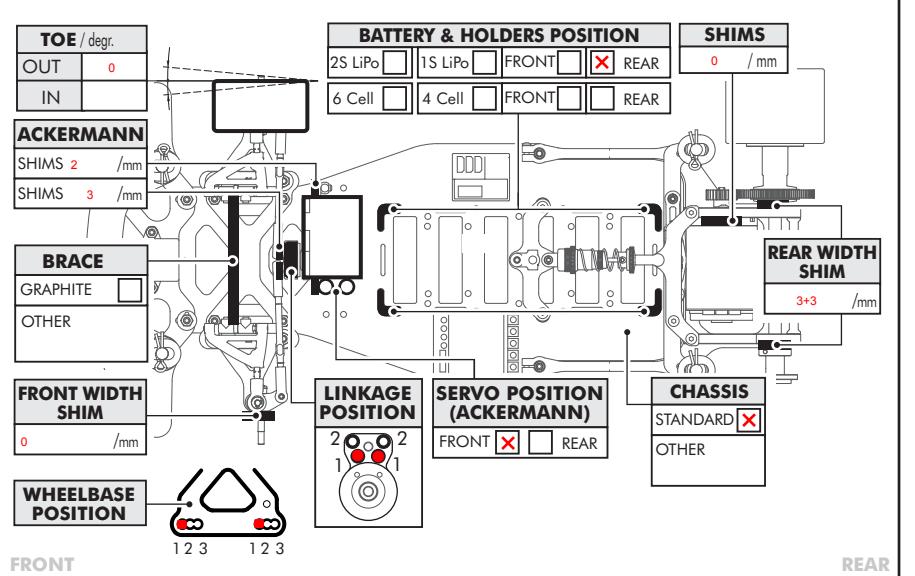
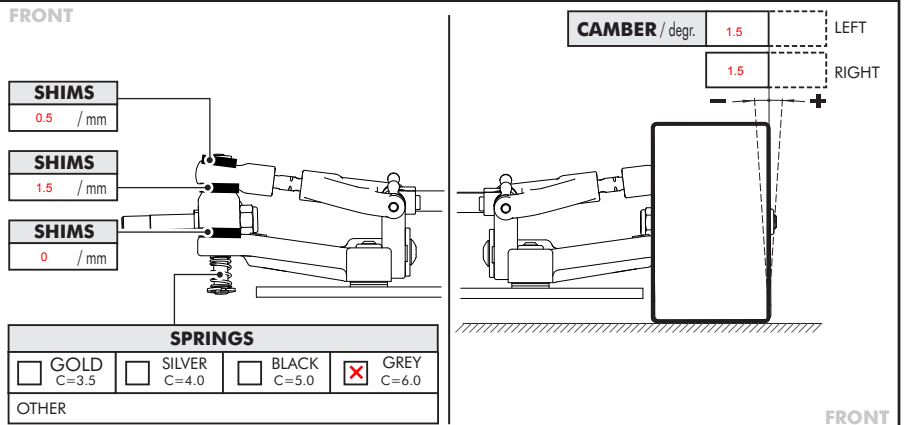
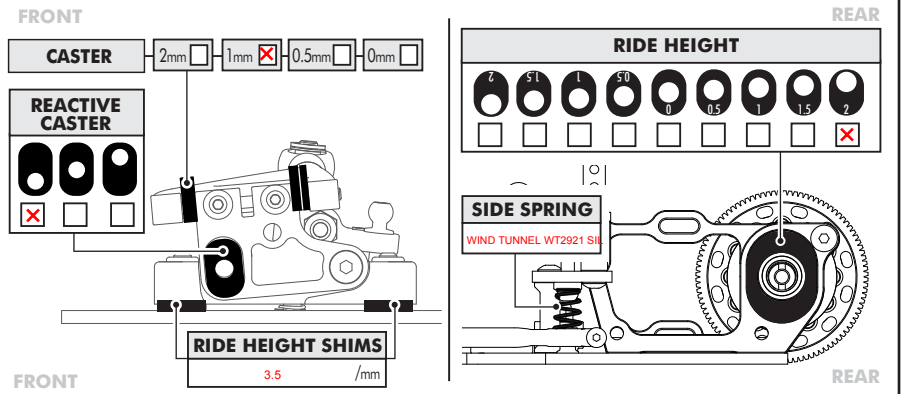
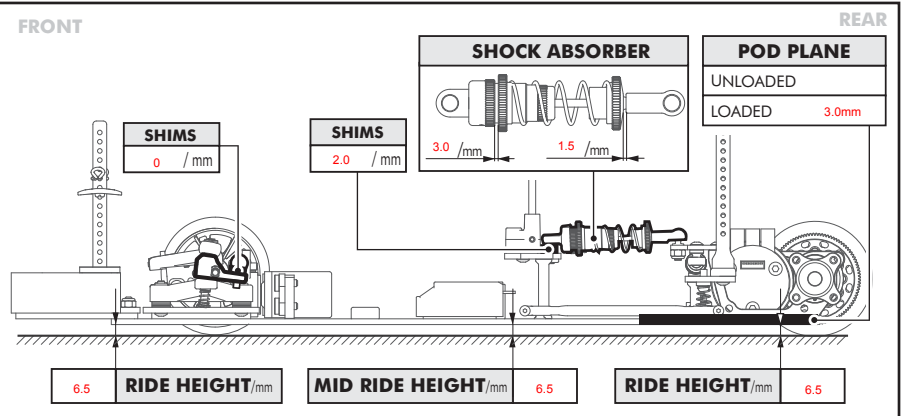
TRANSMISSION	
DIFF SETTING	
<input type="checkbox"/> LOOSE	<input checked="" type="checkbox"/> MEDIUM
	<input type="checkbox"/> TIGHT

PINION / T	65	SPUR GEAR/T	70
FINAL DRIVE RATIO	1.0769230769231	ROLLOUT	183.69

BRUSHED MOTOR	
BRAND	
ARMATURE	

BRUSHLESS MOTOR	
BRAND	Trinity D3
TURN	17.5T
ROTOR	12.5 HT
TIMING	-3(-15)

ESC	SpeedPassion GT2.1	
ESC SETTING	PROGRAM <input type="checkbox"/>	PUNCH <input type="checkbox"/>
	INITIAL BRAKE <input type="checkbox"/>	AUTO BRAKE <input type="checkbox"/>
BATTERIES	LiFe A123 2200mAh	
BODY	Nastruck Toyota Tundra	



COMMENTS

Number of rotations is provided in 2800KV or less by the regulation.
 Total Wait : 1134g
 ESC Boost:33 Turbo:0
 Tire:
 BSR EHW B2237 Front(R) Silver
 BSR EHW B2234 RearNarrow(R) Gold